

◆ WWC ◆

Western Window Coverings, Inc.



Triple Shade™ Revel in the comforting embrace of soft fabrics while enjoying the practicality of horizontal blinds. Elevate your space with beauty and functionality!"

Triple Shade 2024

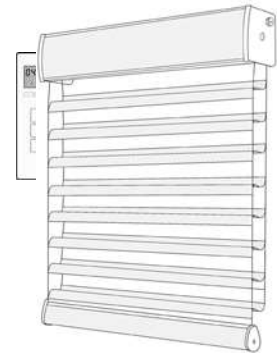
Triple Shade™

Avant Triple Shade™ features carefully selected fabric options paired with the innovative features of the CSA-153™ cassette system provides stability and style with ease of installation.

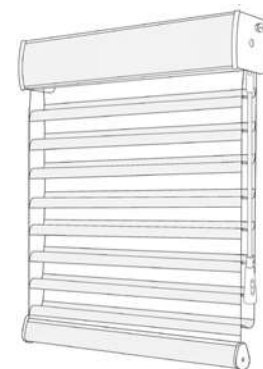
- Cassette & Bottom Rail with Matching Fabric Insert.
- Clutch
- Retractable Wand Operation...Coming soon
- Motorized operation utilizes industry leading motors that are know for their quiet operation and ease of use.
- Curved Cassette.



Retractable Wand
Operation....Coming Soon



Remote Operated
Motorization

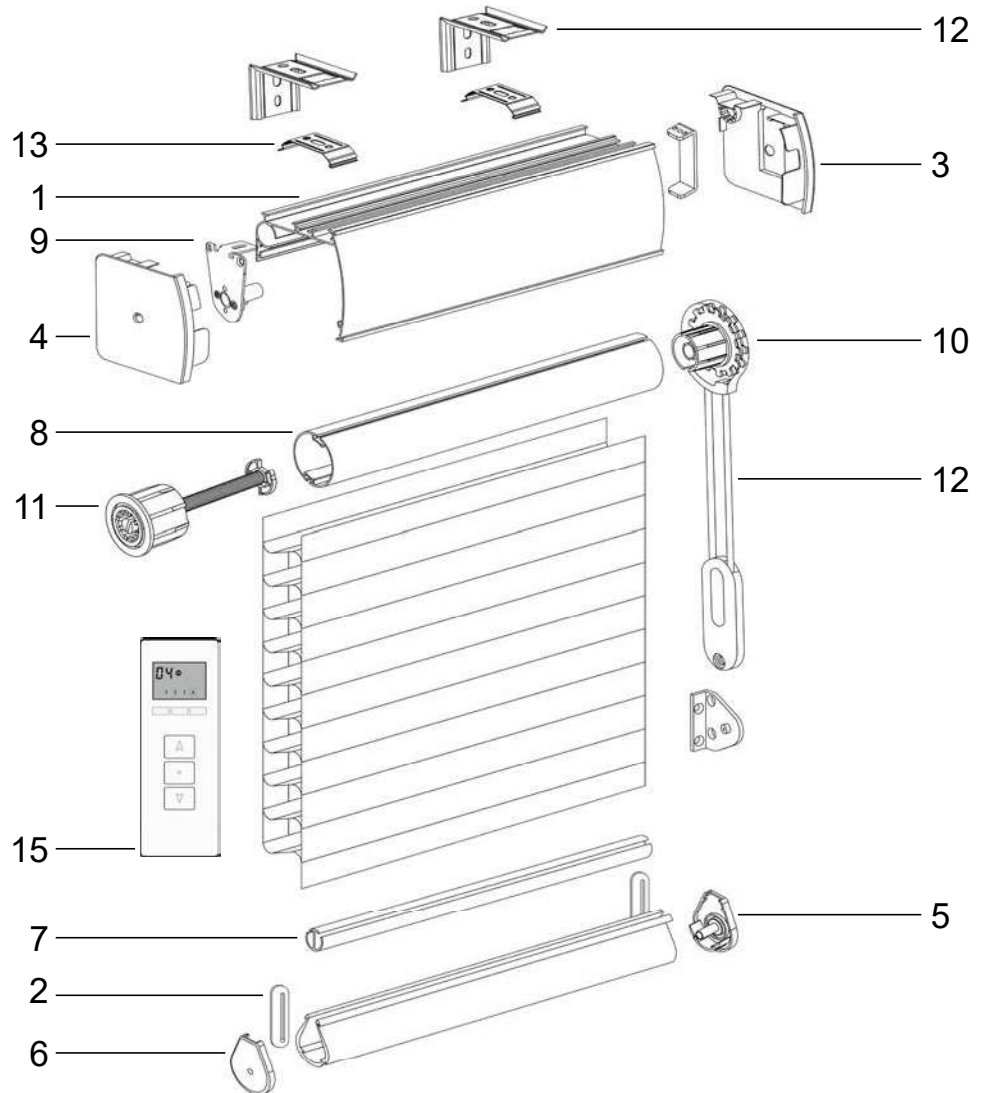


Wand Operated
Motorization

Avant Triple Shade™ System

Product Component Overview

1. Cassette
2. Bottom rail
3. Cassette End Cap (Right)
4. Cassette End Cap (Left)
5. Bottom Rail End Cap (Right)
6. Bottom Rail End Cap (Left)
7. Bottom Rod
8. Tube (38mm)
9. Inner Bracket (L)
10. Clutch (38mm)
11. Idle End Plug
12. Retractable Wand
13. Mounting Bracket
14. Bi-Directional Installation Clip
15. Level Controller Cap
16. Remote



Minimum Size

Clutch operated with retractable wand ··· 8" x 16"
 Rechargeable Battery Motor ········· 22 1/2" x 16"
 Wand Operated Motor ··········· 22 1/2" x 16"
 Hardwired DC Motor ··········· 15 5/8" x 16"

**Please refer to Fabric Technical Data pg. CO-10 for further information regarding maximum shade sizing.*

Standard Cord Length

| Shade Height | Cord Length |
|-------------------------|-------------|
| 18"-27 7/8" ········· | 18" |
| 28"-39 7/8" ········· | 24" |
| 40"-59 7/8" ········· | 36" |
| 60"-83 7/8" ········· | 48" |
| 84"-107 7/8" ········· | 60" |
| 108" and over ········· | 72" |

**If any cord or metal chain measures 97" to 140", a surcharge of \$8.00 will be applied.*

***All continuous cords will be matched to the appropriate component color. Please refer to Color Table and Fabric Technical Data page (see page TR-06).*

Side by Side Alignment

- Allowable tolerance for fabric pattern alignment of side-by- side shades is up to 1/4".
- Only applicable for shades ordered at the same time with identical height, fabric style, and color.
- Please specify desired line numbers under the side-by-side column on the order form.

Fabric Note

- Due to the inherent characteristics of textiles, waviness and wrinkles may be present and should be considered normal.

Finished Dimensions

| | Inside Mount | Outside Mount | End Mount |
|--------------|--------------|---------------|-----------|
| | (IM) | (OM) | (EM) |
| All systems | -1/8" | -0" | -5/8" |
| Shade height | -1/8" | -0" | -1/8" |
| Fabric width | -1 1/16" | -1 1/16" | -1 9/16" |

Mounting Requirements

Inside Mount

Minimum Casement Depth ········· 2"
 Fully Recessed ········· 3 5/8"

Outside Mount

Minimum Mounting Surface Height ········· 1 3/4"

End Mount

Minimum Casement Depth ········· 2"

Bracket Requirements

| Shade Size | # of Brackets |
|-------------------------|---------------|
| Up to 40" ········· | 2 |
| 40 1/8" - 70" ········· | 3 |
| 70 1/8" - 96" ········· | 4 |

Retractable Wand Length

16"-47 7/8" ········· 24"
 48"-71 7/8" ········· 36"
 72" and above ········· 48"

**All retractable wands will be matched to the appropriate component color. Please refer to "Color Table" see page CO-08 to CO-09.*

Motorization Wand Length

16"-47 7/8" ········· 24"
 48"-71 7/8" ········· 36"
 72" and above ········· 48"

**Motorization wands are available in white only*

Child Safety Tension Device

In accordance with the revised American National Standard (ANSI WCMA A100.1- 2018) for Safety of Corded Window Covering Products, Combi Shade® requires proper mounting of the tension device on cords that exceed 40% of the shades height for the product to function safely and properly. Tension devices should not be modified in any way.

Tube Size

| Shade Size | Internal Dimension | Outside Dimension |
|-----------------|--------------------|-------------------|
| Up to 78" | 36mm | 38mm |
| 78 1/8" & above | 38mm | 40mm |

Component Color Option



White



Ivory



Grey



Brown



Black

Light Gaps

Light gap is measured from the edge of the window opening to the edge of fabric.

Retractable Wand (Inside Mount)

Clutch Side 1/2"
 End Plug Side 5/8"

Wand Motor (Inside Mount)

Clutch Side 1/2"
 End Plug Side 5/8"

Motorization (Inside Mount)

Clutch Side 1/2"
 End Plug Side 5/8"

Tile Cut

Upon request, the bottom bar assembly and fabric can be cut down to a specified size, different from the width of the cassette assembly.

Measuring and ordering “Tile Cut”.

Step 1

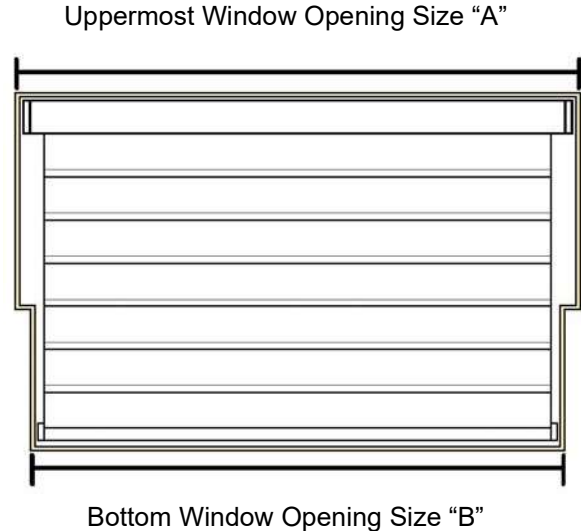
Measure the uppermost position “A” of the window opening to determine the window opening size.

Step 2

Measure the inside width of the window opening at the lowermost position “B” to determine the bottom window opening size

Step 3

Please specify the determined width of the lowermost position under “tile cut” column.



Measuring Corner Windows

There are a few different approaches to measuring for corner windows. Please consider the formed light gap in relation to viewing angle from both inside and outside and how this might affect privacy.

Options 1 & 2

Step 1

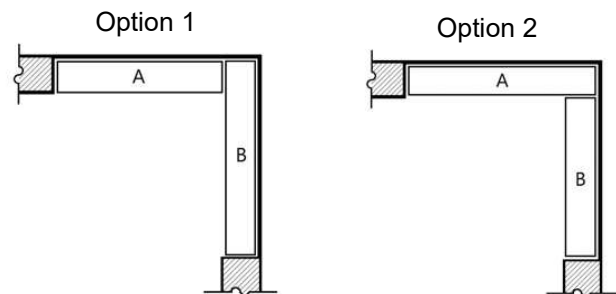
Measure the inside width of both window openings at the uppermost position to determine the widths of the cassette.

Step 2

Decide which of the two shades will be full or butt shade.

Step 3

Deduct 3 $\frac{5}{8}$ " from the determined width of the butt shade.



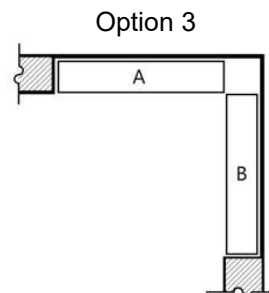
Option 3

Step 1

Measure the inside width of both window openings at the uppermost position to determine the widths of the cassette.

Step 2

Once both measurements are acquired, deduct 3 $\frac{5}{8}$ " from both shades.



Important!

This option will greatly increase the amount of light gap formed along the corner.

Triple Shade Price Group

Albany80, Milan, Natural
Swan, Swan

| WIDTH UP TO: | 36 | 42 | 48 | 54 | 60 | 66 | 72 | 78 | 84 | 90 | 96 |
|---------------------|-----|-----|-----|------|------|------|------|------|------|------|------|
| 42 | 251 | 293 | 334 | 376 | 417 | 459 | 501 | 542 | 584 | 627 | 670 |
| 48 | 286 | 334 | 382 | 430 | 478 | 525 | 573 | 621 | 670 | 718 | 76 |
| 54 | 322 | 376 | 430 | 484 | 537 | 590 | 645 | 698 | 753 | 806 | 859 |
| 60 | 358 | 417 | 478 | 537 | 597 | 657 | 718 | 776 | 836 | 896 | 954 |
| 66 | 393 | 459 | 525 | 590 | 657 | 722 | 788 | 854 | 919 | 985 | 1050 |
| HEIGHT UP TO: 72 | 430 | 501 | 573 | 645 | 718 | 788 | 859 | 932 | 1002 | 1075 | 1147 |
| 78 | 465 | 542 | 621 | 698 | 776 | 854 | 932 | 1009 | 1087 | 1165 | 1242 |
| 84 | 501 | 584 | 670 | 753 | 836 | 919 | 1002 | 1087 | 1171 | 1255 | 1338 |
| 90 | 537 | 627 | 718 | 806 | 896 | 985 | 1075 | 1165 | 1255 | 1344 | 1433 |
| 96 | 573 | 670 | 763 | 859 | 954 | 1050 | 1147 | 1242 | 1338 | 1433 | 1529 |
| 102 | 608 | 711 | 811 | 913 | 1015 | 1117 | 1218 | 1320 | 1421 | 1522 | 1625 |
| 108 | 645 | 753 | 859 | 967 | 1075 | 1182 | 1290 | 1398 | 1504 | 1612 | 1720 |
| 114 | 680 | 794 | 907 | 1021 | 1134 | 1248 | 1362 | 1474 | 1589 | 1702 | 1816 |
| 120 | 718 | 836 | 954 | 1075 | 1190 | 1314 | 1433 | 1552 | 1672 | 1791 | 1911 |

Note: Product price only, does not include freight, state/local taxes, measuring and installation, and other services associated with custom installation.

Avant Triple Shade™ Color Table

| Product Name | Color | Color Name | Component Color |
|---|-------|-------------|-----------------|
| ALBANY 80 DECK# T-01 8028030 | AL-01 | White | White |
| | AL-02 | Ivory | Ivory |
| | AL-03 | Beige | Ivory |
| | AL-04 | Grey | Grey |
| | AL-05 | Black | Black |
| MILAN DECK# T-03 7526030 | MI-01 | White | White |
| | MI-02 | Ivory | Ivory |
| | MI-03 | Beige | Ivory |
| | MI-04 | Grey | Grey |
| | MI-05 | Dark Grey | Grey |
| NATURAL SWAN DECK# T-04 7527540 | NS-01 | White | White |
| | NS-02 | Beige | Ivory |
| | NS-03 | Hazel Wood | Brown |
| | NS-04 | Brown | Brown |
| | NS-05 | Oak | Brown |
| | NS-06 | Grey | Grey |
| | NS-07 | Dark Grey | Grey |
| SWAN DECK# T-07 7527540 | SW-01 | White | White |
| | SW-02 | Cream | Ivory |
| | SW-03 | Silver Grey | Ivory |
| | SW-04 | Shark | Grey |
| | SW-05 | Beige | Ivory |
| | SW-06 | Latte | Brown |
| | SW-07 | Acorn | Brown |
| | SW-08 | Coffee | Brown |
| | SW-09 | Black | Black |

Fabric Technical Data

| Color Deck # | Pattern Name | Fabric Info | Maximum Width (in) | Maximum Length (in) | Maximum sqft. | Weight: (g/m2) | Thickness | Packing | Fire Retardant | Qty of Colors |
|--------------|--------------|-------------|--------------------|---------------------|---------------|------------------|--------------|---------------------|----------------|---------------|
| R-01 | ALBANY 80 | 8028030 | 76" | 98" | 51 sqft | 185.1 g/m2 (±5%) | 0.015" (±5%) | 110" x 32.8yd /Roll | Non F/R | 5 |
| R-03 | MILAN | 7526030 | 76" | 98" | 51 sqft | 145 g/m2 (±5%) | 0.017" (±5%) | 102" x 32.8yd /Roll | Non F/R | 5 |
| R-04 | NATURAL SWAN | 7527540 | 76" | 98" | 51 sqft | 167 g/m2 (±5%) | 0.026" (±5%) | 108" x 43.7yd /Roll | Non F/R | 7 |
| R-07 | SWAN | 7527540 | 76" | 98" | 51 sqft | 167 g/m2 (±5%) | 0.026" (±5%) | 108" x 43.7yd /Roll | Non F/R | 5 |

Note

*All Fabric Compositions are 100% Polyester

Surcharges

Triple Shade™

Standard Features Included

Installation Brackets
Tension Device
ILS (Internal Limit Stop)
Matching Fabric Insert for Cassette and
Bottom Rail
Curved Cassette

Optional Accessory Surcharges

Optional Features (No Charge)

Hold Down Brackets
Extended OM Brackets
Spacer Blocks
Side-By-Side (see Measurement page)
Tile Cut (see Measurement page)
Change cord size (additional 1 foot)

| | |
|----------------------|--|
| Oval Free Hang | \$ 5/unit |
| Motorization | Please refer to motorization pricing below |
| Metal Chain | \$5.60/foot |



Motorization Pricing

** not applicable with Veilette™

| Parts | Cost |
|---|--------|
| Motor (Rechargeable) | \$11 € |
| Motor (12V) | \$1 € |
| Motor (Wand Controlled Rechargeable)* | \$367 |
| ALDC Recharger & Angled Adapter (set) | \$70 |
| 10ft ALDC Extension Cable (ea.) | \$45 |
| 1 Channel Hand Held Remote - RE301 (ea.) | \$90 |
| 5 Channel Hand Held Remote - RE302 (ea.) | \$110 |
| 8 Channel Hand Held Remote - RE303-8c (ea.) | \$160 |
| 16 Channel Hand Held Remote - RE303-16c (ea.) | \$200 |
| 1 Channel Wall Mount Control - RE201 (ea.) | \$100 |
| 2 Channel Wall Mount Control - RE202 (ea.) | \$120 |
| 8 Channel Wall Mount Control - RE203-8C (ea.) | \$170 |
| Avant Wifi Hub (ea.) | \$500 |

Disclaimer - Perfect synchronization of movement between multiple motorized shades will not be possible due to a variety of factors such as varying response time and potential interference.

Note

*Wand controlled motor is only operable by the control buttons located on the wand, and does not sync to any other available accessories (i.e. remote, wall mount, hub).

Please apply your discount rates for all motorization parts and accessories.

Note: When ordering motorized shades, please refer to Fabric Technical Data for additional information.

Avant Motorized Controllers

Combi Shade® motorized shade systems offer consumers the option of integrating their motorized shades with a compatible smart home application through the use of Neo Link Box. This small and innovative device modernizes the way consumers can operate their shades, by providing access from a smart device. Simply download the free Neo app thru Google play or Apple App store. Once set up, consumer will have the ability to control one or various shades through their smart devices remotely. In addition, the Neo link box may be integrated for voice command through Amazon Alexa, Control4, Google Home, and Savant.

Controller Options



1 Channel Handheld Remote RE301



5 Channel Handheld Remote RE302



8 Channel Handheld Remote RE303-8c



Wand Controller Available in 3 lengths: 24", 36", 48"

Wall Mount Controller Options



1 Channel Wall Mount Control RE201



2 Channel Wall Mount Control RE202



8 Channel Wall Mount Control RE203-8c

Hub/Wifi Controller



Avant Wifi Hub



CR2032

Remotes and controllers utilize CR2032.